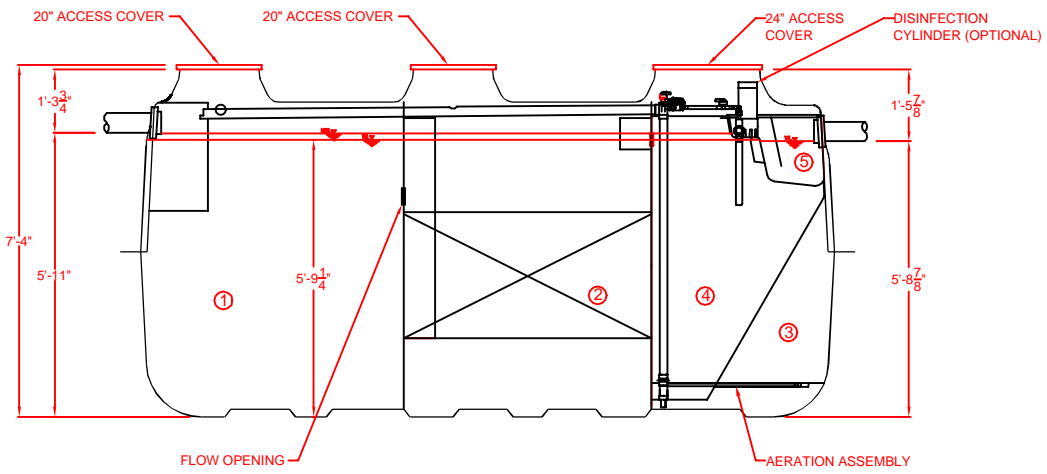


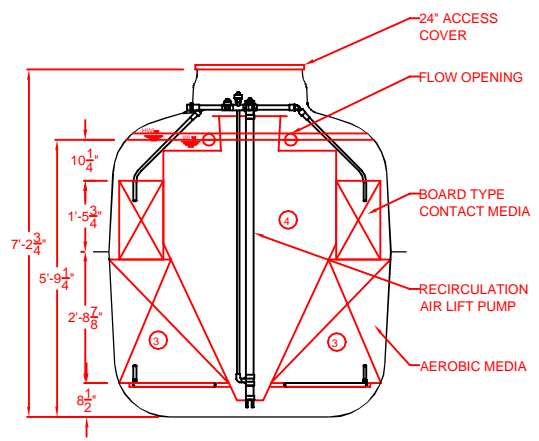
**PLAN VIEW**

CHAMBER		Volume (gal)
①	Sedimentation Chamber	1,200
②	Anaerobic Filtration Chamber	1,198
③	Aerobic Contact Filtration Chamber	550
④	Clarification Chamber	268
⑤	Disinfection Chamber	17
Total Volume		3,233

SPECIFICATIONS	
Anaerobic Media	PP / PE
Board Type Aerobic Media	PVC / PP / PE
Aerobic Media	PP / PE
Blower	7 cfm
Tank	FRP
Piping	PVC / PP / PE
Access Covers	Plastic / Cast Iron
Disinfectant (Optional)	Chlorine Tablets



**SECTION A-A VIEW**



**SECTION B-B VIEW**



**CEN-21**  
**Structural Drawing**

DATE: 03/21/2021 | SCALE: 1/4" = 1"