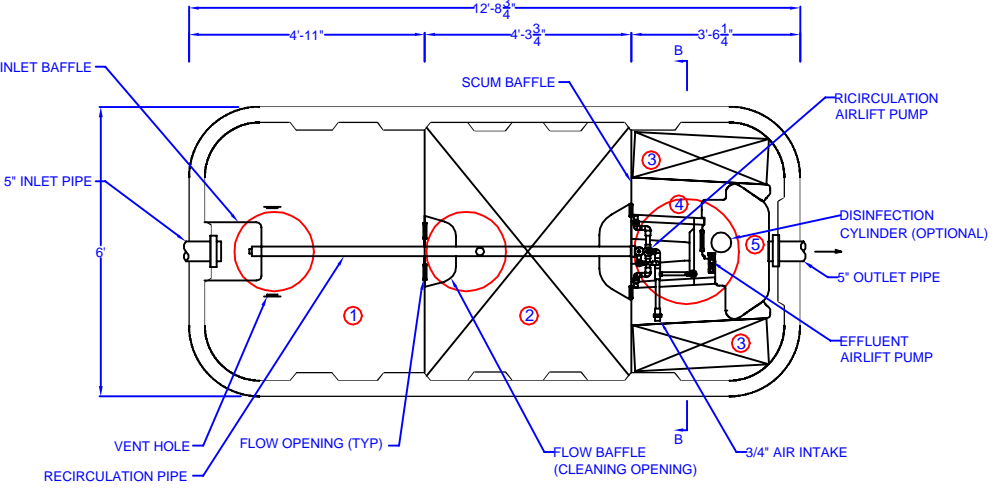
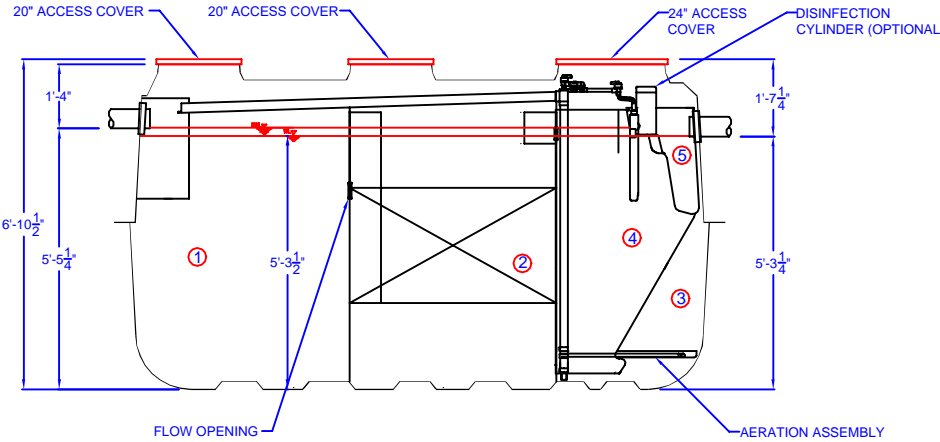


CHAMBER		Volume (gal)
①	Sedimentation Chamber	837
②	Anaerobic Filtration Chamber	839
③	Aerobic Contact Filtration Chamber	378
④	Clarification Chamber	186
⑤	Disinfection Chamber	12
Total Volume		2,252

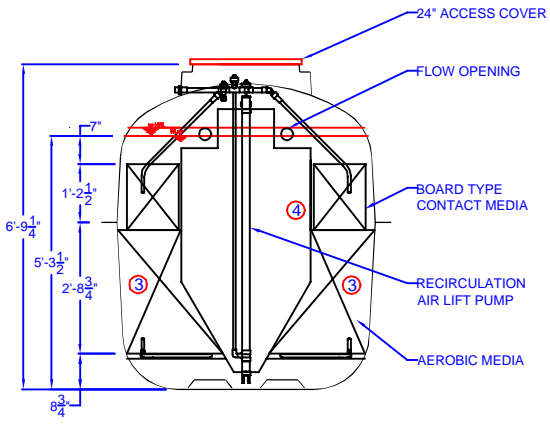
SPECIFICATIONS	
Anaerobic Media	PP / PE
Board Type Aerobic Media	PVC / PP / PE
Aerobic Media	PP / PE
Blower	7 cfm
Tank	FRP
Piping	PVC / PP / PE
Access Covers	Plastic / Cast Iron
Disinfectant (Optional)	Chlorine Tablets



PLAN VIEW



SECTION A-A VIEW



SECTION B-B VIEW



CEN-14
Structural Drawing

DATE: 03/21/2020 SCALE: 1/4" = 1"